

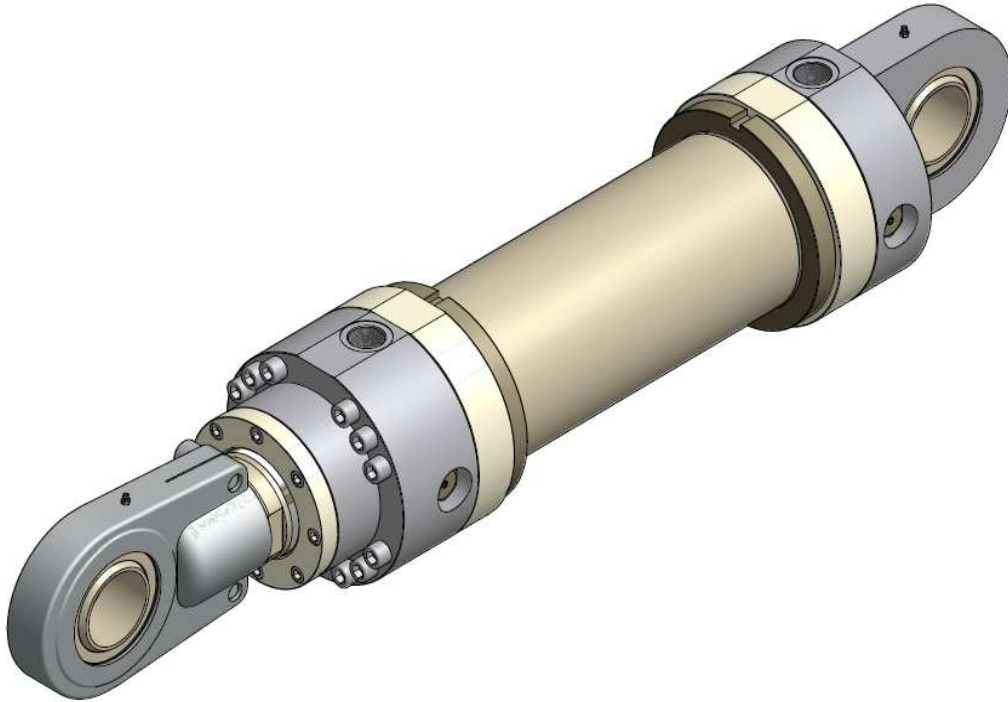
HYDRAULIC CYLINDER “SC-200/140-500-N007”

Production Report For Mechanical Maintenance



Job.N007

Hydraulic Cylinder “SC-200/140-500-N007”



Hydraulic Cylinder 200x140x500

Bore size: Ø200 mm.

Rod size: Ø140 mm.

Stroke: 500 mm.

Working Pressure: 170 Bar

SR No. : 61/011

Job No. : N007

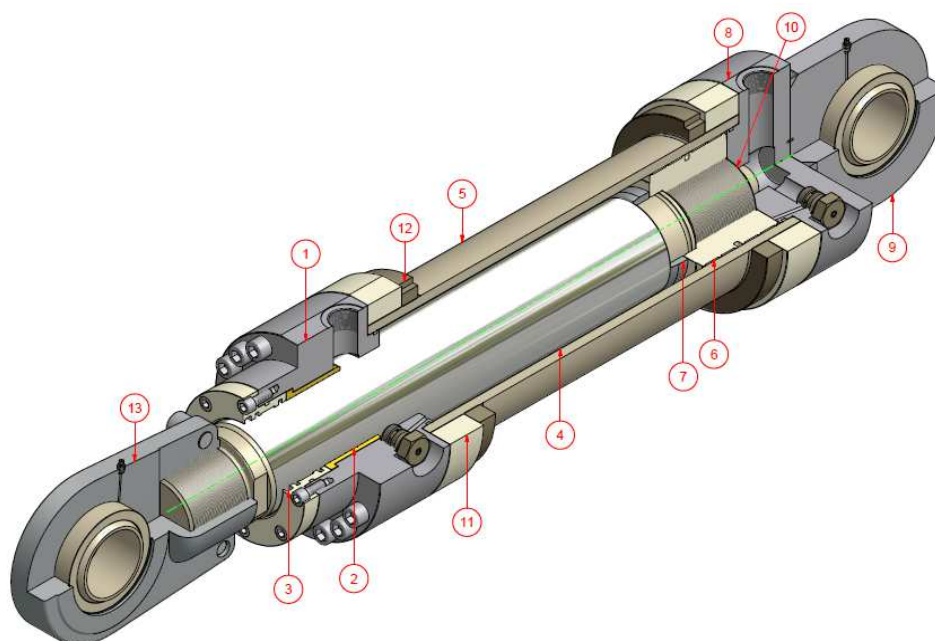


Siam Hydraulic Co.,Ltd.

888 Lasalle Road, Bangna Tai, Bangna, Bangkok 10260

Tel./Fax. 02-399 0939 E-mail : Sale1@siamhyd.com, website : www.siamhyd.com

SC-200/140-500-N007



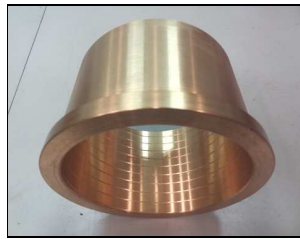
Part List SC-200/140-500-N007

ITEM	P/N	QTY	PART NAME
1	SP-N007-01-01	1	HEAD CYLINDER
2	SP-N007-01-02	1	GUIDE BUSH
3	SP-N007-01-03	1	FRONT COVER
4	SP-N007-02-01	1	ROD
5	SP-N007-03-01	1	TUBE CYLINDER
6	SP-N007-04-01	1	PISTON
7	SP-N007-04-02	1	CUSHION SIEEVE
8	SP-N007-05-01	1	END CYLINDER
9	SP-N007-05-02	1	END MOUNTING
10	SP-N007-05-03	1	CUSHION KID CAP
11	SP-N007-06-01	2	FLANGE TUBE
12	SP-N007-06-02	2	LOCKING RING
13	-	1	MOUNTING ROD

รูปชิ้นส่วนที่ผลิต (Job.N007)



Head Cylinder



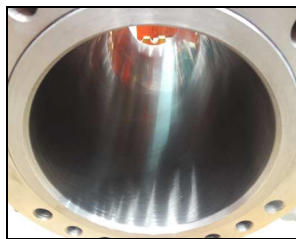
Guide Bush



Front Cover



Rod



Tube Cylinder



Piston



Cushion Sleeve



End Cylinder



End Mounting



Cushion Kid Cap



Flange Tube



Locking Ring



Mounting Rod



Screw Set



Cushion Valve



Seal Kit

ภาพการผลิต/ประกอบ และทดสอบ Hydraulic Test (Job.N007)



HYDRAULIC TEST REPORT

CUSTOMER NAME:

PROJECT NO.: SC-200/140-500-N007

REF. P/O NO. : -

QUOTATION NO. :-

QUALITY: 1 Set

TYPE: 200x140x500

DATE: -

DATE: -

DELIVERY DATE: -

TEST PRESSURE

WORKING PRESSURE: 170 Bar

MAXIMUM TEST: 375 Bar

TESTING TIME: 30 Minute

TEST BY
SERVICES TECHNICIAN

INSPECTION BY
ENGINEER

SIAM HYD

Siam Hydraulic Co.,Ltd

High quality cylinders for heavy duty application