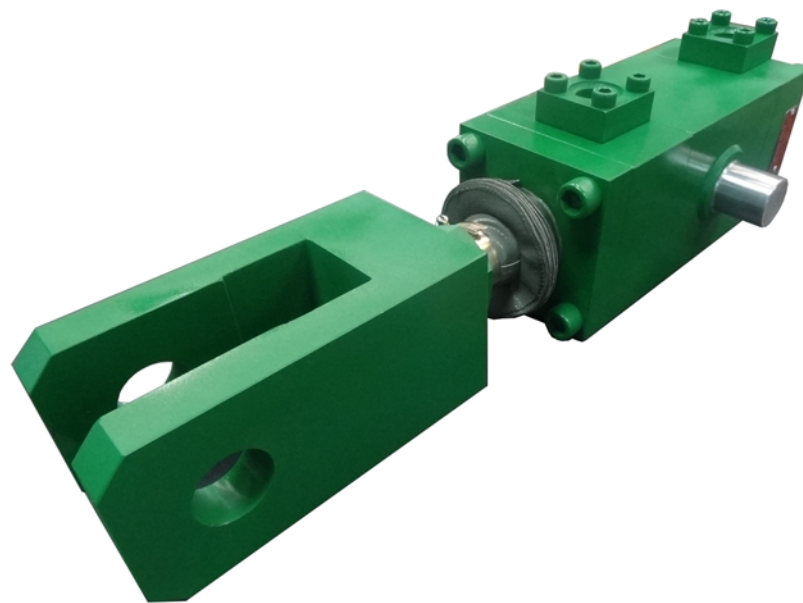


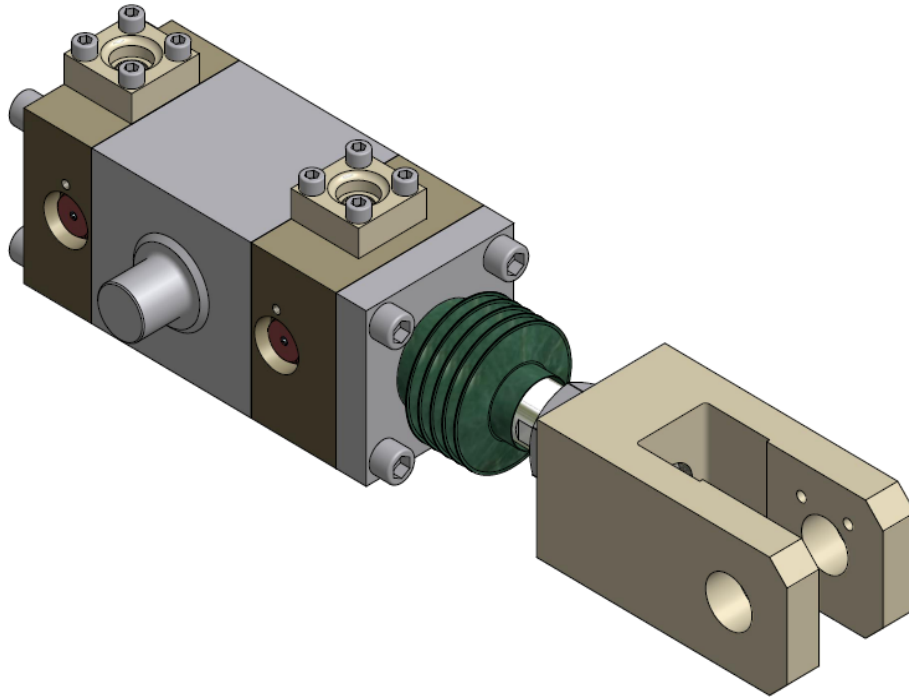
HYDRAULIC CYLINDER “SC-080/045-40-M073”

Production Report For Mechanical Maintenance



Job.N098

Hydraulic Cylinder “SC-080/045-40-M073”



Hydraulic Cylinder 80x45x40

Bore size: $\text{Ø}80$ mm.

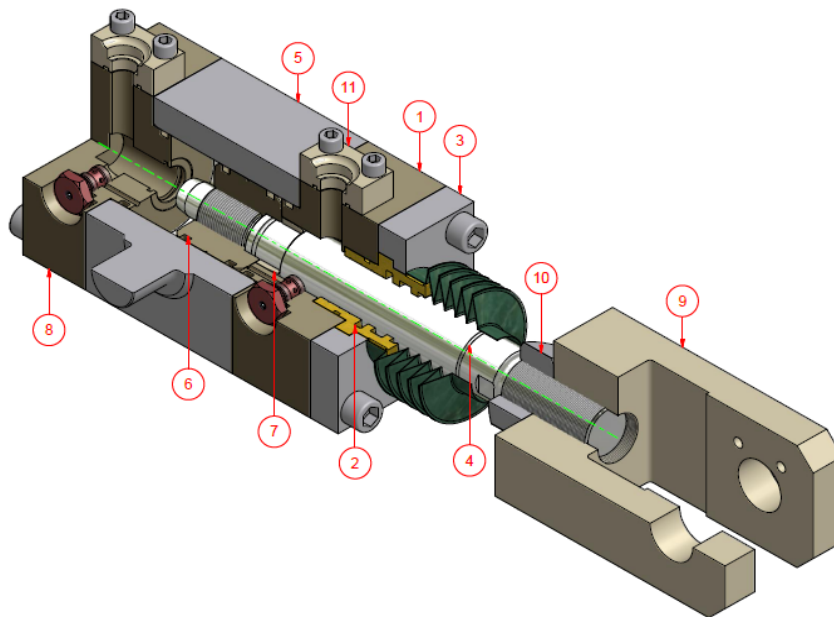
Rod size: $\text{Ø}45$ mm.

Stroke: 40 mm.

Working Pressure: 140 Bar

SR No. : 61/103

Job No. : N098



Part List SC-080/045-40-M073

| ITEM | P/N | QTY | PART NAME |
|------|---------------|-----|----------------|
| 1 | SP-M073-01-01 | 1 | HEND CYLINDER |
| 2 | SP-M073-01-02 | 1 | GLAND |
| 3 | SP-M073-01-03 | 1 | FRONT COVER |
| 4 | SP-M073-02-01 | 1 | ROD |
| 5 | SP-M073-03-01 | 1 | TUBE CYLINDER |
| 6 | SP-M073-04-01 | 1 | PISTON |
| 7 | SP-M073-04-02 | 1 | CUSHION SLEEVE |
| 8 | SP-M073-05-01 | 1 | END CYLINDER |
| 9 | SP-M073-06-01 | 1 | MOUNTING ROD |
| 10 | SP-M073-06-02 | 1 | NUT LOCK |
| 11 | SP-M073-06-03 | 2 | FLANGE SSA-20 |

รูปชิ้นส่วนที่ผลิต (Job.N098)



Head Cylinder



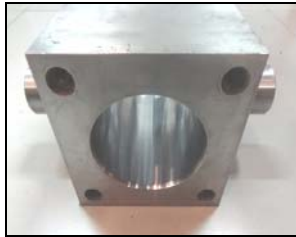
Gland



Front Cover



Rod



Tube Cylinder



Piston



Cushion Sleeve



End Cylinder



Mounting Rod



Nut Lock



Flange SSA-20



Bellow



Screws Set



Cushion Valve



Air Vent



Seal Kit

ภาพการประกอบ และ ทดสอบ Hydraulic Test (Job.N098)



HYDRAULIC TEST REPORT

CUSTOMER NAME:

PROJECT NO.: **SC-080/045-40-M073**

TYPE: **80x45x40**

REF. P/O NO. : -

DATE: -

QUOTATION NO. :-

DATE: -

QUALITY: **1 Set**

DELIVERY DATE: -

TEST PRESSURE

WORKING PRESSURE: **140 Bar**

MAXIMUM TEST: **250 Bar**

TESTING TIME: **30 Minute**

TEST BY _____
SERVICES TECHNICIAN

INSPECTION BY _____
ENGINEER



Siam Hydraulic Co.,Ltd.

888 Lasalle Road, Bangna Tai, Bangna, Bangkok 10260

Tel./Fax. 02-399 0939 E-mail : Sale1@siamhyd.com, website : www.siamhyd.com

SIAM HYD

Siam Hydraulic Co.,Ltd

High quality cylinders for heavy duty application