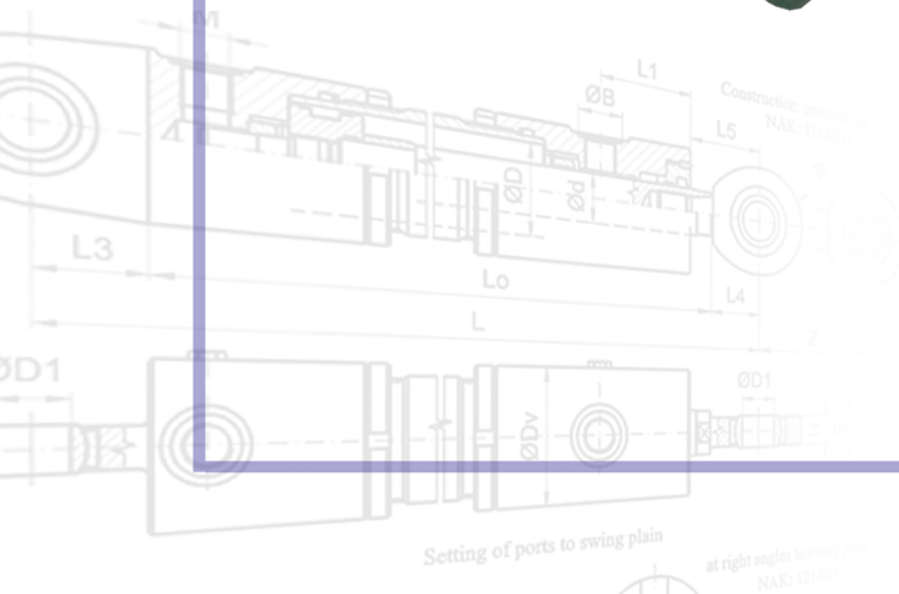


HYDRAULIC CYLINDER

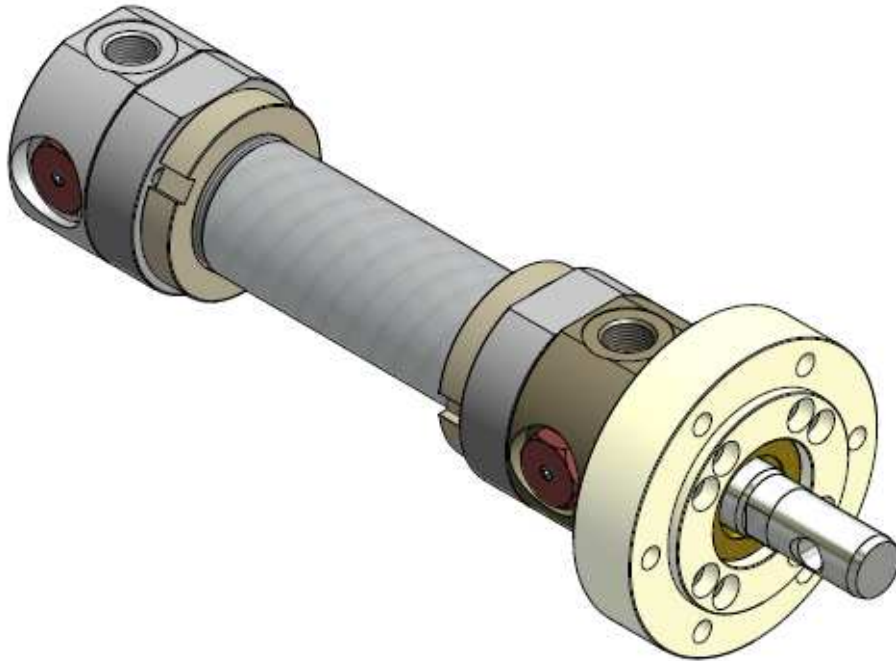
“SC-040/028-140-K078”

Production Report For Mechanical Maintenance



Job.N004

Hydraulic Cylinder “SC-040/028-140-K078”



Hydraulic Cylinder 40x28x140

Bore size: **Ø40 mm.**

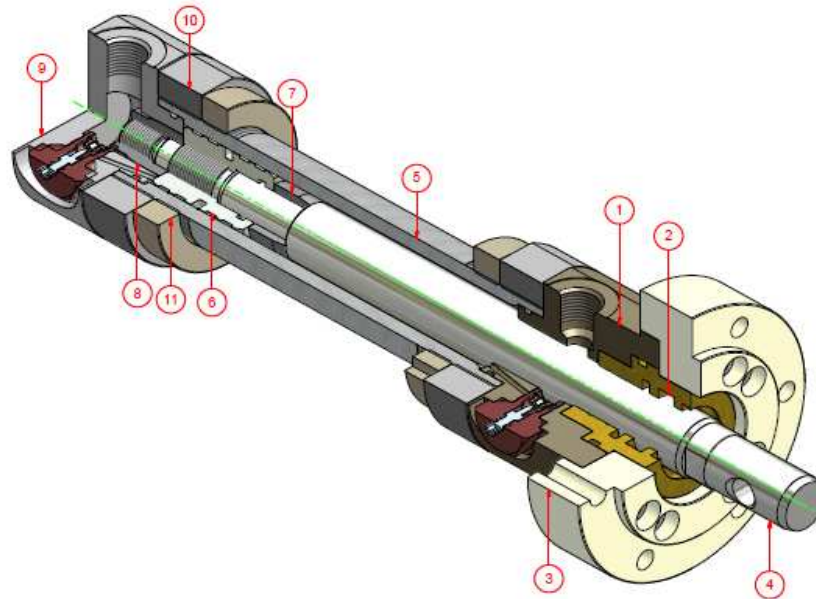
Rod size: **Ø28 mm.**

Stroke: **140 mm.**

Working Pressure: **140 Bar**

SR No. : **61/008**

Job No. : **N004**



Part List SC-040/028-140-K078

ITEM	P/N	QTY	PART NAME
1	SP-K078-01-01	1	HEAD CYLINDER
2	SP-K078-01-02	1	GLAND
3	SP-K078-01-03	1	FLANGE
4	SP-K078-02-01	1	ROD
5	SP-K078-03-01	1	TUBE CYLINDER
6	SP-K078-04-01	1	PISTON
7	SP-K078-04-02	1	HEAD CUSHION SLEEVE
8	SP-K078-04-03	1	END CUSHION SLEEVE
9	SP-K078-05-01	1	END CYLINDER
10	SP-K078-06-01	2	FLANGE LOCK
11	SP-K078-06-02	2	LOCKING RING

รูปชิ้นส่วนที่ผลิต (Job.N004)



Head Cylinder



Gland



Flange



Rod



Tube Cylinder



Piston



Head Cushion Sleeve



End Cushion Sleeve



End Cylinder



Flange Lock



Locking Ring



Screws Set



Cushion Valve



Seal Kit

ภาพการผลิต,ประกอบและทดสอบ Hydraulic Test (Job.N004)



HYDRAULIC TEST REPORT

CUSTOMER NAME:

PROJECT NO.: SC-040/028-140-K078

TYPE: 40x28x140

REF. P/O NO. : -

DATE: -

QUOTATION NO. :-

DATE: -

QUALITY: 1 Set

DELIVERY DATE: -

TEST PRESSURE

WORKING PRESSURE: 140 Bar

MAXIMUM TEST: 250 Bar

TESTING TIME: 30 Minute

TEST BY
SERVICES TECHNICIAN

INSPECTION BY
ENGINEER

SIAM HYD

Siam Hydraulic Co.,Ltd

High quality cylinders for heavy duty application